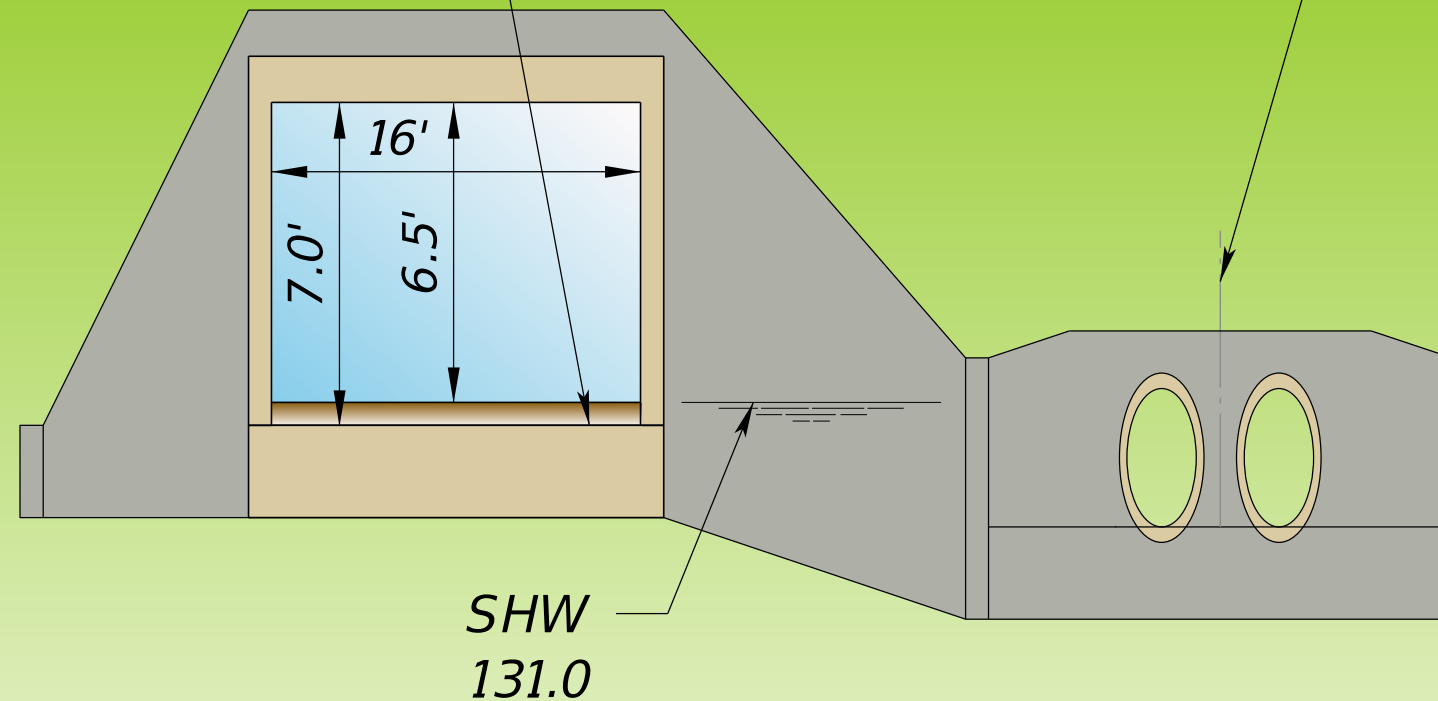


WILDLIFE CROSSING
16' x 7' CONCRETE
BOX CULVERT
WITH 6" OF SOIL
INVERT EL. = 130.5

ROADWAY SURFACE

2~36" REINFORCED
CONCRETE PIPES
INVERT EL. = 128.30 (EAST)
INVERT EL. = 128.60 (WEST)
(MATCH EXISTING)



PREFERRED ALTERNATIVE

16' x 7' BOX CULVERT (with 6" OF SOIL AT SHW)

WILDLIFE CROSSING with DOUBLE 36" PIPES