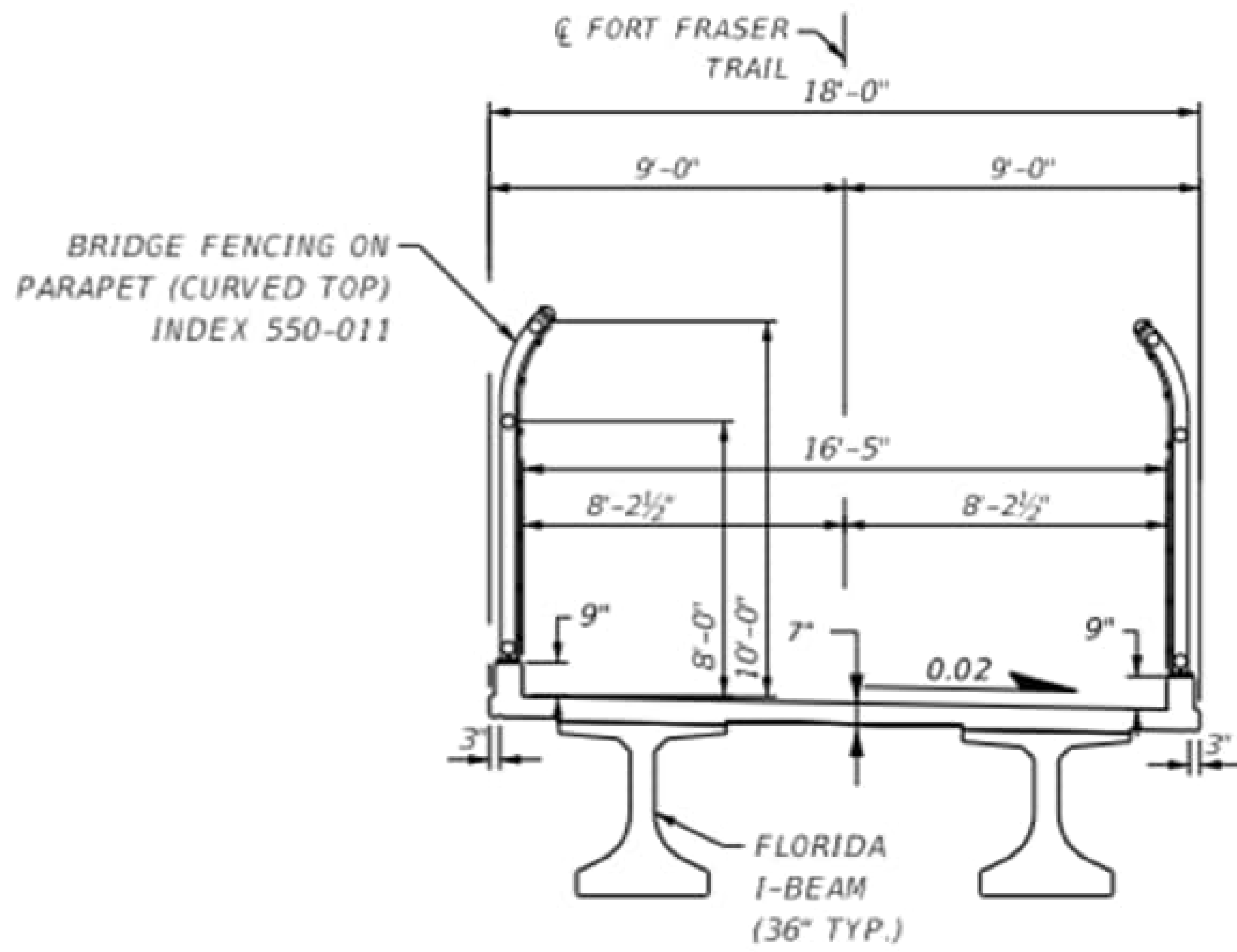


# Proposed Bridge Concept



**BRIDGE  
TYPICAL SECTION**  
STA. 110+27.02 TO 116+64.36



FORT FRASER TRAIL OVER SR 60

POLK COUNTY

WPI SEGMENT NO.: 440272-1